

ILLUSTRATED PARTS LIST

for BF Goodrich/Hayes Disc Brake Conversion
07/30/10

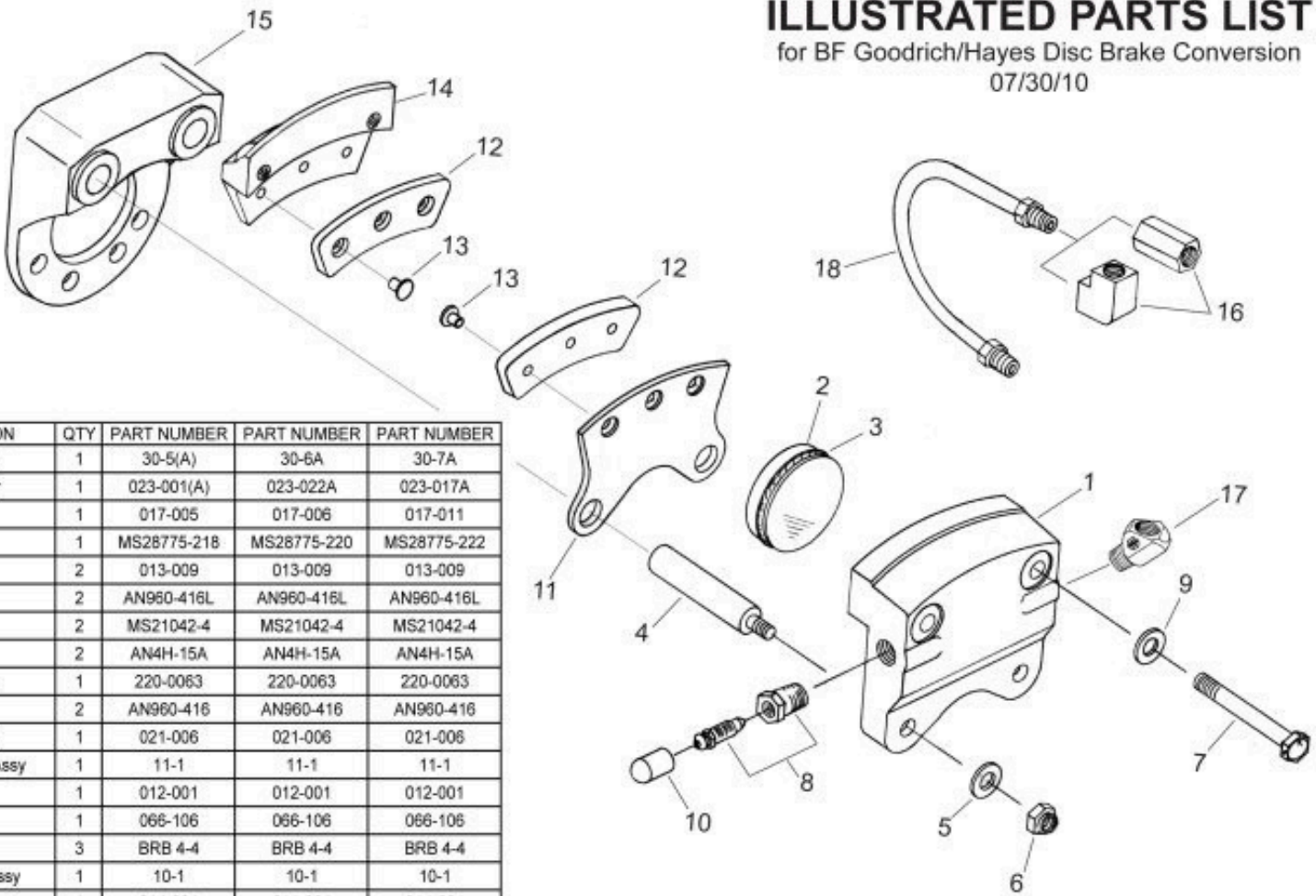


FIG	DESCRIPTION	QTY	PART NUMBER	PART NUMBER	PART NUMBER
	Caliper Assy	1	30-5(A)	30-6A	30-7A
1	Body, Caliper	1	023-001(A)	023-022A	023-017A
2	Piston	1	017-005	017-006	017-011
3	O-Ring	1	MS28775-218	MS28775-220	MS28775-222
4	Torque Pin	2	013-009	013-009	013-009
5	Washer	2	AN960-416L	AN960-416L	AN960-416L
6	Nut	2	MS21042-4	MS21042-4	MS21042-4
7	Bolt	2	AN4H-15A	AN4H-15A	AN4H-15A
8	Bleeder Assy	1	220-0063	220-0063	220-0063
9	Washer	2	AN960-416	AN960-416	AN960-416
10	Cap, Bleeder	1	021-006	021-006	021-006
	Press Plate Assy	1	11-1	11-1	11-1
11	Press Plate	1	012-001	012-001	012-001
12	Pad	1	066-106	066-106	066-106
13	Rivet	3	BRB 4-4	BRB 4-4	BRB 4-4
	Back Plate Assy	1	10-1	10-1	10-1
14	Back Plate	1	014-001	014-001	014-001
12	Pad	1	066-106	066-106	066-106
13	Rivet	3	BRB 4-4	BRB 4-4	BRB 4-4
15	Torque Plate Assy	1	020-042(A)	020-042(A)	020-042(A)
16	Elbow Union	1	502x4	502x4	502x4
	Straight Union	ALT	302x4	302x4	302x4
17	45° Elbow	1	352x4	352x4	352x4
18	Line Assembly	1	007-001	007-001	007-001

Grove

Aircraft Landing Gear Systems Inc

ILLUSTRATED PARTS LIST

for BF Goodrich/Hayes Disc Brake Conversion
8/1/03

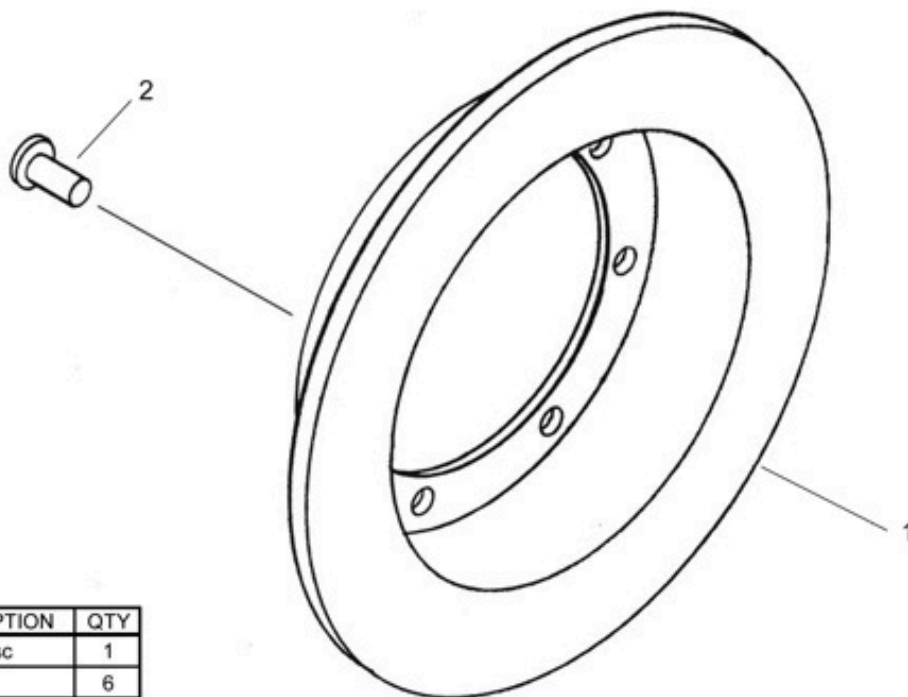


FIG	PART NUMBER	DESCRIPTION	QTY
1	018-013	Brake Disc	1
2	AN441-6-6P	Rivet	6

Grove

Aircraft Landing Gear Systems Inc